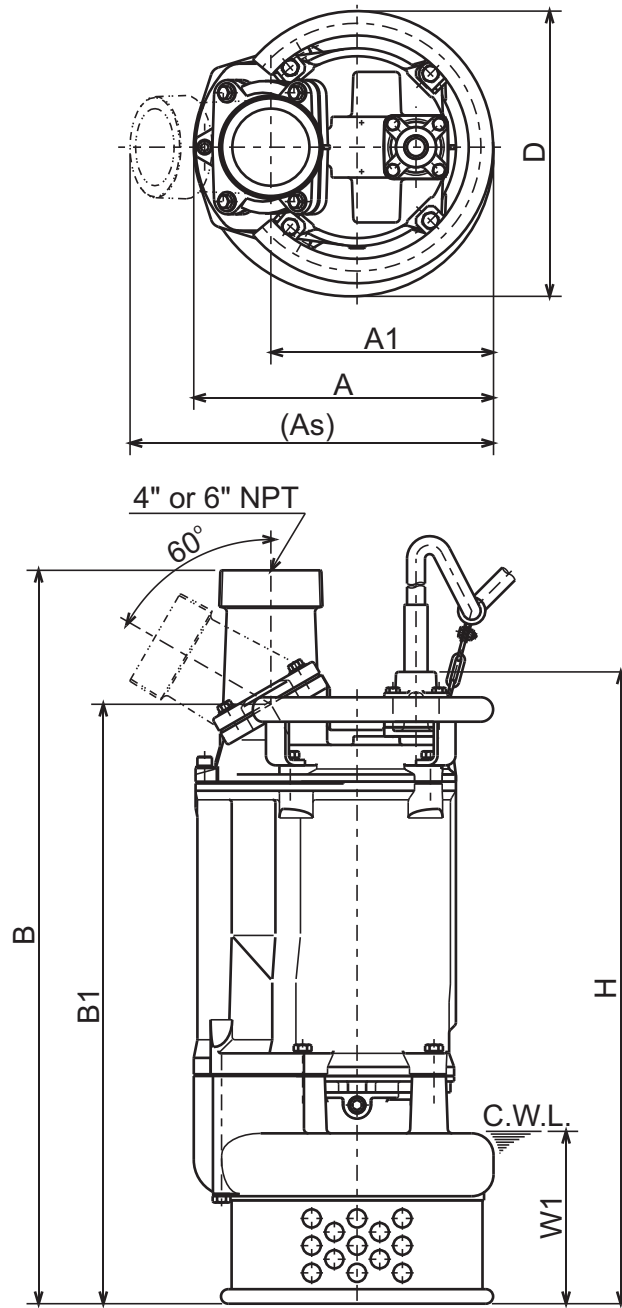




**KTZ - SERIES  
DEWATERING PUMPS**

**DIMENSIONS**

**KTZ47.5-63  
KTZ67.5-63**



**DIMENSIONS:USCS (Inch)**

C.W.L. : Continuous running Water Level

Model	HP	NOM. SIZE	Pump & Motor							C.W.L. W1	Wt. (lbs.)
			A	As	A1	B	B1	D	H		
KTZ47.5-63	10	4"	13	15 3/4	9 11/16	31 13/16	26	12 3/8	27 7/16	7 1/2	225
KTZ67.5-63(4")	10	4"	13	15 3/4	9 11/16	31 13/16	26	12 3/8	27 7/16	7 1/2	225
KTZ67.5-63	10	6"	14 9/16	15 9/16	11 3/16	31 7/8	26	12 3/8	27 7/16	7 1/2	222

**DIMENSIONS:METRIC (mm)**

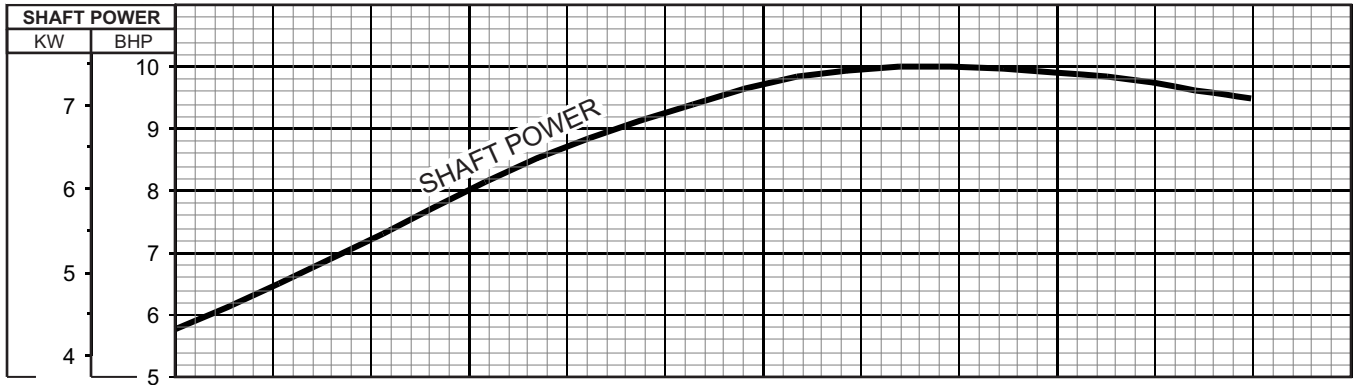
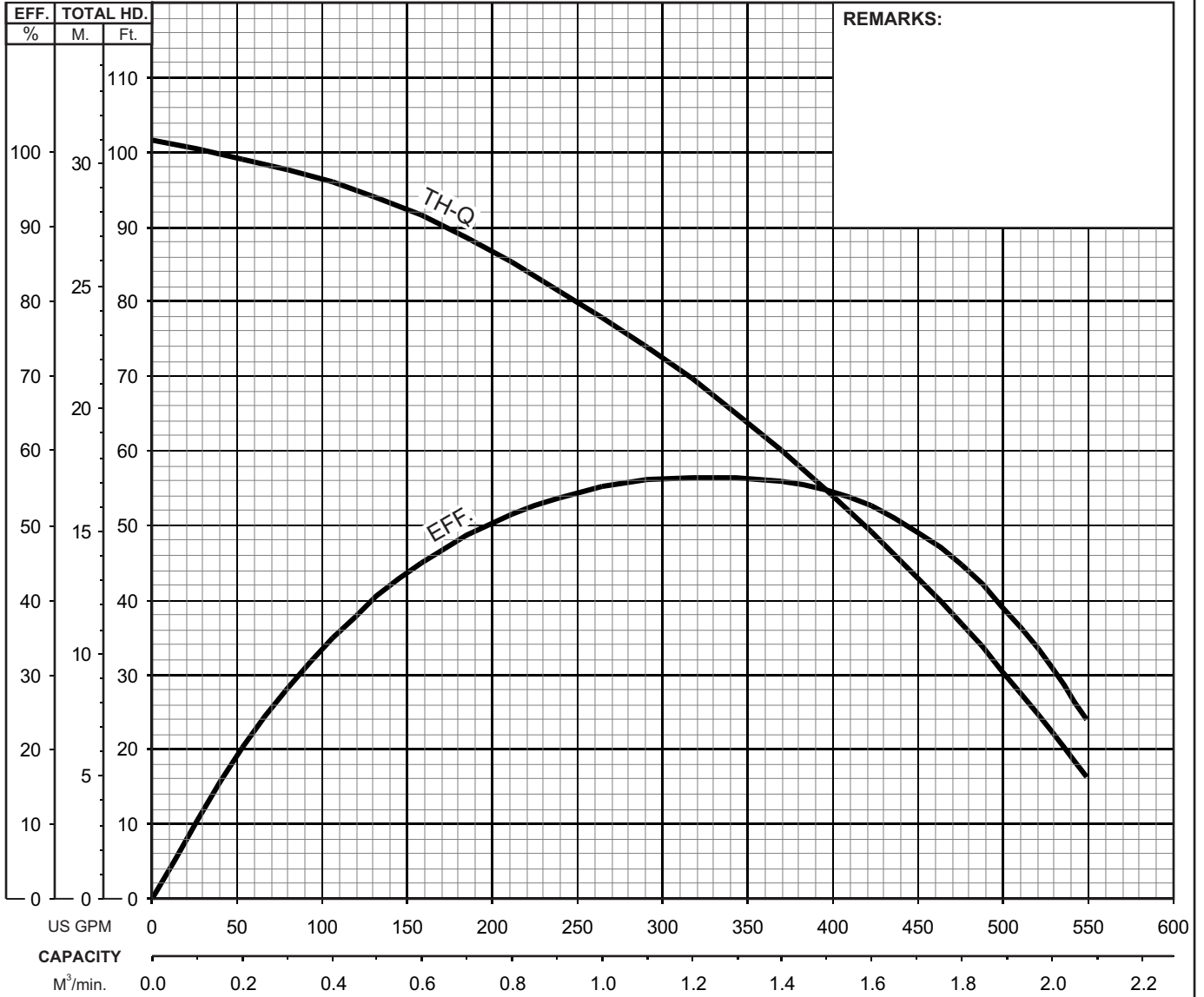
Model	kW	NOM. SIZE	Pump & Motor							C.W.L. W1	Wt. (kg)
			A	As	A1	B	B1	D	H		
KTZ47.5-63	7.5	100	330	401	245	809	661	314	697	190	102
KTZ67.5-63(4")	7.5	100	330	401	245	809	661	314	697	190	102
KTZ67.5-63	7.5	150	369	395	284	810	661	314	697	190	101



# KTZ - SERIES DEWATERING PUMPS

# PERFORMANCE CURVE

MODEL	BORE	HP	KW	RPM	SOLIDS DIA	LIQUID	SG.	VISCOSITY	TEMP.
KTZ67.5-63	4"/100mm	10	7.5	3545	0.787"/20mm	Water	1.0	1.123 cSt.	60°F
PUMP TYPE	PHASE	VOLTAGE	AMPERAGE		HZ	STARTING METHOD	INS. CLASS		
Dewatering Pump	3	208-230/460/575	29.8-27.3 / 13.3 / 10.4		60	Direct On Line	F		
CURVE No.	DATE	PHASE	VOLTAGE	AMPERAGE	HZ	STARTING METHOD	INS. CLASS		
-	-	-	-	-	-	-	-		

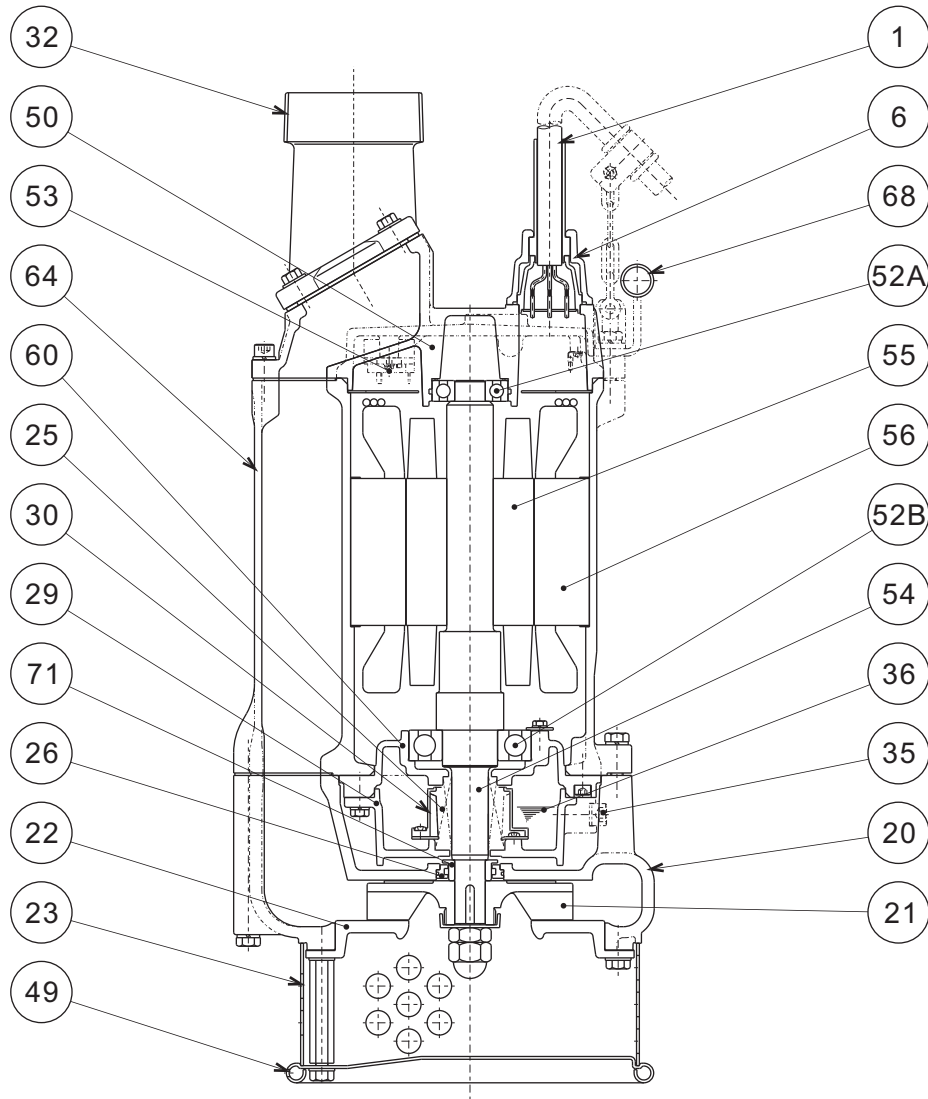




**KTZ - SERIES  
DEWATERING PUMPS**

**SECTIONAL VIEW**

**KTZ47.5-63  
KTZ67.5-63**



ITEM#	DESCRIPTION	MAIN MATERIAL / NOTE	RELATED ASTM, AISI CODE	RELATED EN CODE	Q'TY
1	Power Cable	Chloroprene Sheath AWG10/4-50ft			1
6	Stuffing Box	Cast Iron	A48M Class30B	EN 1561 GJL-200	1
20	Pump Casing	Cast Iron	A48M Class30B	EN 1561 GJL-200	1
21	Impeller	High Chrome Cast Iron	A532 Class III Type A	DIN 1695 G-X260Cr27	1
22	Suction Cover	Ductile Cast Iron	A536 80-55-06	EN 1563 GJS-500-7	1
23	Suction Strainer	Steel (Cold Rolled)	A109/A1008	EN 10130	1
25	Mechanical Seal	Silicon Carbide / H-30T			1
30	Oil Lifter	PBT Resin			1
26	Labyrinth Ring	Stainless Steel	S 30400	1.4301	1
32	Discharge Connection	Cast Iron / NPT 4" (or 6")	A48M Class30B	EN 1561 GJL-200	1
35	Oil Plug	Stainless Steel	S 30400	1.4301	1
36	Lubricant	Turbine Oil ISO VG32 or SAE10W-20			
49	Bottom Plate	Steel (Cold Rolled)	A109/A1008	EN 10130	1
50	Motor Head Cover	Cast Iron	A48M Class30B	EN 1561 GJL-200	1
52A	Upper Bearing	#6305ZZC3			1
52B	Lower Bearing	#6309ZZC3			1
53	Motor Protector				1
54	Shaft	Stainless Steel	S 42000	1.4028	1
55	Rotor				1
56	Stator				1
60	Bearing Housing	Cast Iron	A48M Class25B	EN 1561 GJL-150	1
64	Motor Housing	Cast Iron	A48M Class30B or 25B	EN 1561 GJL-200 or GJL-150	1
68	Handle	Carbon Steel Pipe + Steel	A53 Type F + A283 Grade D	DIN 1615 St33 + EN 10025 S275	1
71	Shaft Sleeve	Stainless Steel	S 40300	1.4000	1

PARTS LIST		HI-VOLUME DEWATERING PUMP			6/7/2018	
ITEM	PART No.	DESCRIPTION	QTY	SIZE	MATERIAL	NOTES
1	140-080-14	Hex.Bolt	4	M10x45	SUS304	
2	142-164-19	Spring Washer	4	M10	SUS304	
3	070-117-11	L-Shape Fitting	1	40x25x4.5t d13Hole	SPC	
4	068-000-31	Handle	1		SGPSS	
5	010-122-10	Cable Clip Rubber	1	No.2	NBR	
6	010-120-18	Cable Clip	1	No.2-1	SPC	
7	141-004-59	Hex.Nut	1	M6	SWRM	
8	140-032-37	Hex.Bolt	1	M6x15	SWRM	
9	095-131-18	Chain	1	4mm(3L)	SS	
10	011-110-11	Shackle	1	6mm(M8,SC)	SS	
11	001-842-34	Cable Set (50') 60Hz(USA)	1	2PNCTF4Cx5.5mm2	KTZ	
12	140-060-18	Hex.Bolt	4	M8x50	SUS304	
13	006-167-17	Stuffing Box	1	No.1-3	FC	
14	122-121-12	O-Ring	1	G-50(49.4xd3.1)	NBR	*
15	004-169-13	Cable Bush 60Hz(USA)	1	No.3	CR	
16	008-156-19	Mould Cover	1	No.1-3	ADC	
17	009-129-16	Terminal	4	E (Small)	CU	
18	009-101-12	Terminal(C/W Screw)	4	d12x(d6.6xd6.6)x25l	C3604	
19	009-123-10	Terminal	4	P-5.5	CU	
20	002-135-14	Heat Shrink Tube (Sold per meter)	m	A(d15x0.3t)	(V/m)	
21	002-132-11	Heat Shrink Tube (Sold per meter)	m	A4(d17x0.27t)	(V/m)	
22	140-000-87	Hex.Bolt	4	M10x35(B=14)	SUS304	
23	142-128-24	Plain Washer	4	M10	SPC	
24	032-000-94	Hose Coupling (for USA)	1	KTZ43.7-63(NPT-4,Angle)	FC	standard
	032-000-97	Hose Coupling OPTION	1	KTZ67.5-63(NPT-6,Angle)	FC	OPTION
25	121-001-48	Packing	1	KTZ-3.7/7.5(Angle)	NBR	*
26	050-001-11	Motor Bracket	1		FC	
27	140-288-14	Hex.Socket Cap Bolt	1	M10x35	SUS304	
28	142-164-19	Spring Washer	1	M10	SUS304	
29	122-000-09	O-Ring	1	195xd3.8	NBR	*
30	053-000-03	Motor Protector 208/230V-60Hz(USA)	1	KA314-HLDL00	(B.C)	
	053-000-16	Motor Protector 460V-60Hz(USA)	1	KA314-HKBL00	(B.C)	
	053-506-18	Motor Protector 575V-60Hz(USA)	1	KA314-HMXL00	(B.C)	
31	143-126-12	Pan Screw (w/Spring Washer/Plain Washer)	2	M4x12	SWRM	
32	009-295-14	Earth Terminal	1Set	5.5mm2x170L		
33	143-085-21	Pan Screw (w/Spring Washer)	1	M4x6	SWRM	
34	142-197-11	Wave Washer	1	6305	SK5	
35	052-108-13	Bearing	1	6305ZZC3		

PARTS LIST		HI-VOLUME DEWATERING PUMP			6/7/2018	
ITEM	PART No.	DESCRIPTION	QTY	SIZE	MATERIAL	NOTES
36	122-244-12	O-Ring	1	61.4xd3.1	NBR	*
37	058-000-35	Lead Wire Protection Plate	1	d84xd199.5x1.6t	PE	
38	055-002-60	Rotor	1Set			
39	147-139-10	Impeller Key	1	7x7x28L	SUS420	
40	056-007-25	Stator 208/230V-60Hz(USA)	1Set			
	056-007-33	Stator 460V-60Hz(USA)	1Set			
	056-007-35	Stator 575V-60Hz(USA)	1Set			
41	121-000-14	Packing (Water Way, Upp.)	1	KTZ35.5/67.5-51/61	NBR	*
42	064-001-31	Motor Frame	1		FC	
43	140-080-14	Hex.Bolt	4	M10x45	SUS304	
44	142-164-19	Spring Washer	4	M10	SUS304	
45	140-000-06	Hex.Bolt (w/Spring Washer/Plain Washer)	4	M6x12	SWCH	
46	052-112-10	Bearing	1	6309ZC3		
47	122-285-15	O-Ring	1	155xd3.1	NBR	*
48	060-001-39	Bearing Housing	1		FC	
49	140-269-19	Hex.Socket Cap Bolt	4	M8x25	SUS304	
50	025-000-73	Mechanical Seal	1	H-30T(T) (RoHS)	SiC	supercedes 025-000-50
51	143-070-23	Pan Screw	2	M5x6	SWRM	
52	030-142-11	Oil Lifter	1	H-30(A)(T)	Resin	
53	143-070-10	Pan Screw	6	M5x6	SWRM	
54	030-147-16	Seal Stopper	1	HT-3035	SPCC	
55	122-285-15	O-Ring	1	155xd3.1	NBR	*
56	121-502-18	Packing (Water Way, Low.)	1	KTZ47.5/67.5	NBR	*
57	029-333-17	Oil Casing	1	KTZ47.5/611	FC	
58	142-163-18	Spring Washer	4	M8	SUS304	
59	140-055-10	Hex.Bolt	4	M8x25	SUS304	
60	035-113-18	Oil Plug	1	M12x14	SUS304	
61	121-247-12	Packing	1	d12.3xd18x2t	PE	*
62	071-198-19	Shaft Sleeve	1	d25xd35x17l	SUS403	
63	020-001-05	Pump Casing	1	KTZ47.5/67.5	FC	
64	142-164-19	Spring Washer	2	M10	SUS304	
65	140-448-14	Hex.Bolt	2	M10x150	SUS304	
66	122-360-15	O-Ring	1	46.5xd2.5	NBR	*
67	026-238-12	Labyrinth Ring	1	GHV/GHZ-7.5/11KW	SUS304	
68	040-107-28	Impeller Shim		d25.2xd38x0.3t	SUS304	
69	021K8910	Impeller (60Hz)	1	KTZ67.5-63	HiCrFC	
70	047-105-14	Impeller Thread Protect.Cover	1	No.4(22)	SPC	
71	141-009-38	Hex.Nut	1	M20(H=12)	SUS304	

PARTS LIST		HI-VOLUME DEWATERING PUMP			6/7/2018	
ITEM	PART No.	DESCRIPTION	QTY	SIZE	MATERIAL	NOTES
72	141-034-16	Hex.Cap Nut	1	M20	SUS304	
73	120-111-13	Packing (S.Cover)		d221xd268x0.3t	PE	
74	022-000-57	Suction Cover	1	KTZ67.5/611	FCD	
75	142-128-24	Plain Washer	3	M10	SPC	
76	140-075-16	Hex.Bolt	3	M10x25	SUS304	
77	142-128-24	Plain Washer	3	M10	SPC	
78	144-000-57	Stud Bolt	3	M10x124(26/14)	SUS410	
79	023-252-13	Strainer	1	KTV-75/110	SPC	
80	049-133-20	Bottom Plate	1	KRS-C3/A3	SPC	
81	142-128-24	Plain Washer	3	M10	SPC	
82	141-006-77	Hex.Nut	3	M10	S45C	
	173-003-42	<b>Packing O-Ring Set</b>	1Set	(Marked by *)		
14	122-121-12	O-Ring (S.Box)	1	G-50(49.4xd3.1)	NBR	*
25	121-001-48	Packing (Hose Coupling)	1	KTZ-3.7/7.5(Angle)	NBR	*
29	122-000-09	O-Ring (M.Bracket/M.Frame)	1	195xd3.8	NBR	*
36	122-244-12	O-Ring (Upp. Bearing)	1	61.4xd3.1	NBR	*
41	121-000-14	Packing (Water Way, Upp.)	1	KTZ35.5/67.5-51/61	NBR	*
47	122-285-15	O-Ring (M.Frame/Brg.Housing)	1	155xd3.1	NBR	*
55	122-285-15	O-Ring (Brg.Housing/O.Casing)	1	155xd3.1	NBR	*
56	121-502-18	Packing (Water Way, Low.)	1	KTZ47.5/67.5	NBR	*
60	121-247-12	Packing (Oil Plug)	1	d12.3xd18x2t	PE	*
66	122-360-15	O-Ring (Labyrinth Ring)	1	46.5xd2.5	NBR	*
		Lubricant		Turbine Oil VG32 760ml		
	183-009-12	<b>Impeller Puller</b>	1	A No.4 1"1/4"	FC	

PARTS LIST		HI-VOLUME DEWATERING PUMP			6/7/2018	
ITEM	PART No.	DESCRIPTION	QTY	SIZE	MATERIAL	NOTES

## EXPLODED VIEW

